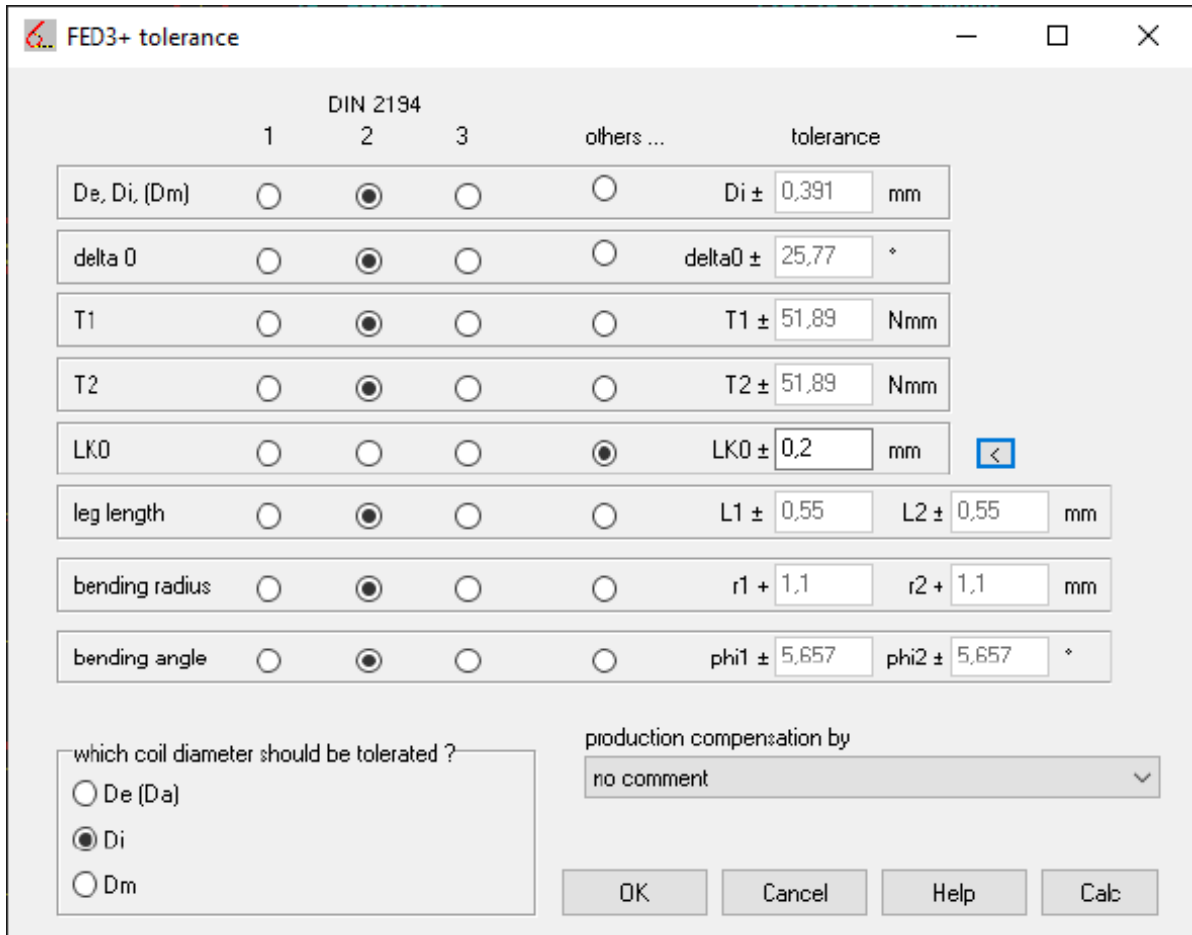


by Fritz Ruoss

FED3+: Torsion Spring: Tolerance for LK0 w/o coil distance



In FED3 +, the tolerance according to DIN 2194 for torsion springs with coil spacing is calculated for the spring body length LK0. There is no statement in DIN about the tolerance for torsion springs without a coil spacing, in FED3 + the specified formula is also used for a = 0. However, if the coil ratio Dm/d becomes greater than 10, the tolerance increases exponentially. At Dm/d > 20, the tolerance of LK0 is greater than LK0 itself. If you want to output LK0 without tolerance, go to “Other ..” under “Edit\Tolerance” and enter 0. New for FED3 + is now a suggestion button “<”. If a = 0 (without coil spacing), a tolerance for LK0 is suggested according to the formula:

$$A_{Lk0} \text{ (for } a=0) = (n + 1) * A_d + \Delta_0 / 360^\circ * d$$

- ALK0 = +/- tolerance of spring body length
- Ad = wire diameter tolerance
- Adelta0 = leg angle tolerance
- n = number of coils
- d = wire diameter.

WN6: Quick3 View

The new Quick3 view contains drawings and tables with the dimensions and strength of the P3G joint.

The screenshot displays the WN6 software interface for a polygon profile P3G. It includes a title bar, a menu bar, and several data tables and drawings.

Profile Data Tables:

profile DIN 32711 - A P3G 25 k6			
spherical triangle diameter	d1	mm	25 k6
outer circle diameter	d2	mm	26,6
inner circle diameter	d3	mm	23,4
eccentricity	e1	mm	0,8 JS4

profile DIN 32711 - B P3G 25 H7			
spherical triangle diameter	d4	mm	25 H7
outer circle diameter	d5	mm	26,6
inner circle diameter	d6	mm	23,4
drill diameter	d5pre	mm	23 H8
grinding disk diameter	d7	mm	8 max
eccentricity	e2	mm	0,8 JS4

Strength Tables:

		1 (shaft)		2 (hub)	
Drawing name		Welle		Nabe	
Drawing number		001		102	
Drawing name 2		shaft 32711-2-1		hub 32711-2-2	
Material		E295 (St 50)		E295 (St 50)	
Material No.		1.0050		1.0050	
Yield Point Re (MPa)		300		300	

STRENGTH DIN 6892 / DIN 32711		1	2
torque	T	Nm	150 150
bending moment	Mb	Nm	0 0
application factor	KA		1,00 1,00
Yield Point	Re	MPa	300 300
support factor	FS		1,30 1,50
Hardness factor	HS		1,00 1,00
$\sigma_{zul} = Re \cdot HS \cdot HS$	σ_{zul}	MPa	390 450
alternating load factor	FW		1,00 1,00
application factor	f _{app}		1,00 1,00
$\sigma_{zul} = Re \cdot FW \cdot f_{app}$	σ_{zul}	MPa	300 300
$\sigma_{zul} = \sigma_{zul} \cdot FW \cdot f_{app}$	σ_{zul}	MPa	390 450
pressure	p _{max}	MPa	96 96
Min. wall thickness	s _{min}	mm	5,0 7,2
wall thickness	s	mm	11,7 7,7
shearing stress	$\tau_{au\ max}$	MPa	57 12
bending stress	s _{bmax}	MPa	0 0
Reference stress	s _{vmax}	MPa	100 21
$S = \sigma_{zul} / p_{max}$	S _p		4,08 4,70
$S = \sigma_{zul} / \sigma_{vmax}$	S _e		3,01 14,10
$S = s_{wall} / s_{min}$	S _w		2,34 1,07

P3G			
spherical triangle diameter	d	mm	25
outer circle diameter	d _o	mm	26,6
inner circle diameter	d _i	mm	23,4
eccentricity	e	mm	0,8
eccentricity max	e _{lim}	mm	1,563
section area	A	mm ²	482,8
moment of inertia, polar	Ip	mm ⁴	37299
section modulus, polar	Wp	mm ³	2610
section modulus, polar	Wp _{o1}	mm ³	2992
section modulus, equitorial	Wx	mm ³	1406
radius theor.	r1	mm	17,7
radius theor.	r2	mm	7,3
length eff	l _{eff}	mm	20
number of teeth	n		3
tooth height	h	mm	1,59

Additional Tables:

STRENGTH acc. to Roloff / Matak			
not displaceable	f _{app}		1,00
application factor	KA		1,00
load factor (Pulsat.load)	nue Fs		1,60
load factor (Alternat.load)	nue Fw		4,00
Perm. pressure (Pulsat.load)	pFs adm	MPa	187,5
Perm. pressure (alternating)	pFw adm	MPa	75,0
Perm. torque (pulsating)	Ts adm	Nm	254
Perm. torque (alternating)	Tw adm	Nm	118

Technical Drawings: The interface shows two technical drawings of the P3G profile. The top drawing shows the profile with dimensions d1, d2, d3, and e1. The bottom drawing shows the profile with dimensions d4, d5, d6, d7, and e2.

WN6: Applications for P3G polygon profiles

DIN 32711 states that P3G profiles are not suitable for connections that can be moved lengthways under torque. Why this is so is preceded by an advantage: self-centering of shaft and hub under torque. In fact, the eccentricity ($e = \text{tooth height} / 2$) of the DIN sizes is relatively small, presumably because they can be manufactured with polygon grinding machines. This is why the shaft and hub jam under torsion. This is not so good when the load changes: then the clamp loosens and jams on the other side. Sliding wear, expansion and torsional backlash are the consequences when the direction of rotation is reversed.

In WN6 you can also enter all dimensions directly and enter a greater eccentricity, which reduces the clamping. The hub profile may then no longer be able to be produced with polygon grinding machines; only as a drawn shaft profile, and the hub profile broached, cast, injection-molded or 3D-printed.

However, if you choose the eccentricity too large, you get the effect known from the P4C profile that the polygon curve leaves the harmonic path. Then you have to limit the curve as with the P4C profile with a circular arc.

The greatest possible eccentricity for a harmonic curve is $e_{lim} = d / 16 = 0.0625 \cdot d_1$.

WN6: Database extended 110 .. 180 mm

Database p3g.dbf was appended by new sizes of 110mm till 180mm according to DIN 32711-1:2009.

polygon profile P3G

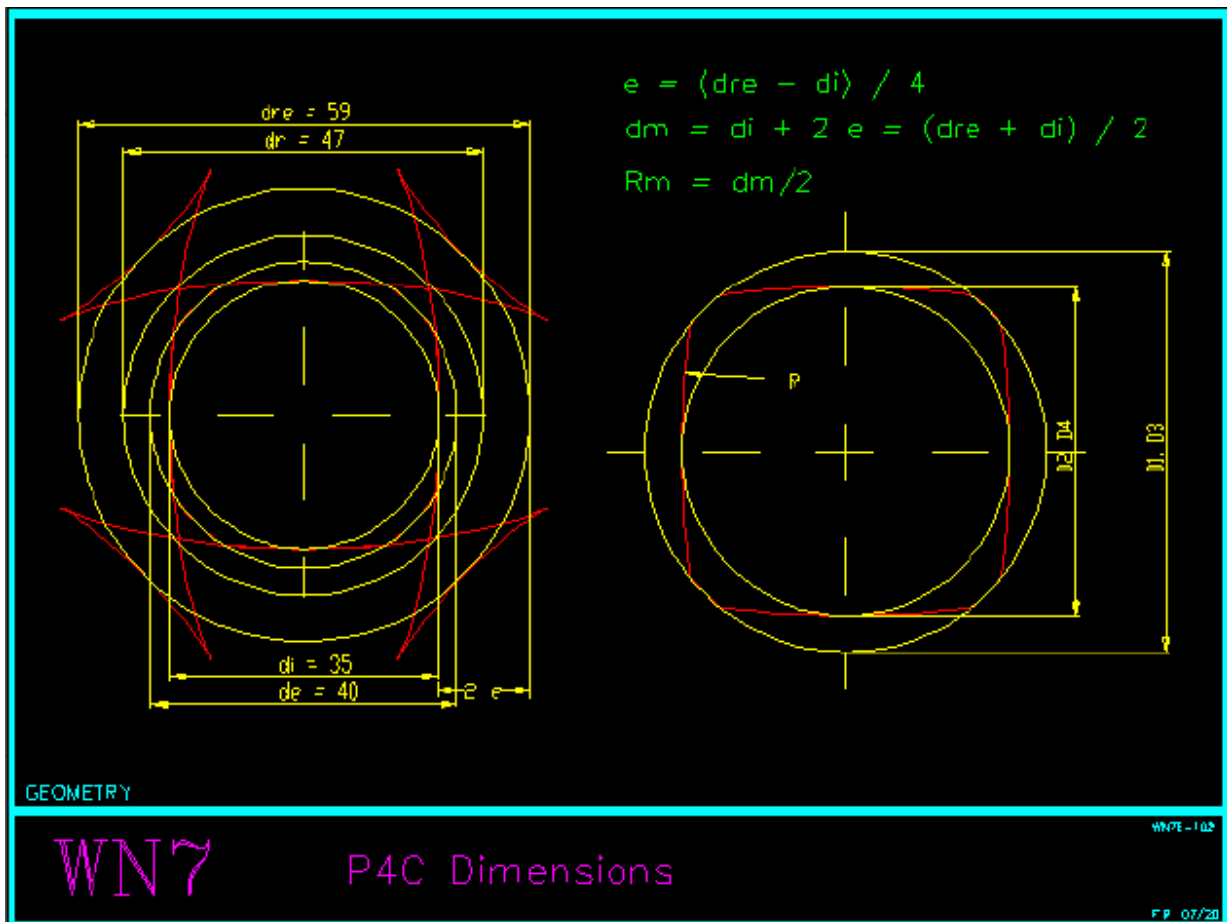
File View Help

Search Search Next 6 /31 OK Cancel

D1_D4	D2_D5	D3_D6	E1_E2	D6PRE	D7	R1	R2	IN
110	119,9	100,1	4,95	99,6	25	87,18	22,83	
120	130,8	109,2	5,4	108,7	25	95,1	24,9	
130	141,7	118,3	5,85	117,8	25	100,03	26,98	
140	152,6	127,4	6,3	126,9	30	110,95	29,05	
150	163,5	136,5	6,75	136	30	118,88	31,13	
160	174,4	145,6	7,2	145,1	30	126,8	33,2	
170	185,3	154,7	7,65	154,2	30	134,73	35,28	
180	196	164	8	163,5	30	142	38	

WN7 – Auxiliary Image

The auxiliary image for WN7 dimensions has been improved, showing the complete contour and the diameter of the concave circular arc “dre”.



WN7: Quick3 View

New Quick3 View in WN7 contains drawings and tables with dimensions and strength of P4C joint.

profile DIN 32712 - A P4C 25 k6

outer circle diameter	d1	mm	25 k6
inner circle diameter	d2	mm	21 k6
eccentricity	e1	mm	5 js4

profile DIN 32712 - B P4C 25 H7

outer circle diameter	d3	mm	25 H7
inner circle diameter	d4	mm	21 H7
drill diameter	d4pre	mm	20,8 H8
eccentricity	e2	mm	5 JS5

	1 (shaft)		2 (hub)	
Drawing name	Welle		Nabe	
Drawing number	1		2	
Drawing name 2	P4C shaft		P4C hub	
material	E295 (St 50)		E295 (St 50)	
material No.	1.0050		1.0050	
Yield Point Re (MPa)	300		300	

STRENGTH DIN 6892 / DIN 32712				
	T	Nm	1	2
torque			150	150
bending moment	Mb	Nm	0	0
application factor	KA		1,00	1,00
Yield Point	Re	MPa	300	300
support factor	RS		1,30	1,50
hardness factor	RH		1,00	1,00
$\sigma_{zul} = Re \cdot RS \cdot RH$	σ_{adm}	MPa	390	450
alternating load factor	RV		1,00	1,00
application factor	fapp		1,00	1,00
$\sigma_{zul} = Re \cdot RV$	$\sigma_{g.zul}$	MPa	300	300
$\sigma_{zul} = \sigma_{zul} \cdot RV \cdot f_{app}$	$\sigma_{e.zul}$	MPa	390	450
pressure	p max	MPa	76	76
Min. wall thickness	s min	mm	3,5	3,5
wall thickness	s	mm	10,5	3,5
shearing stress	τ_{max}	MPa	81	25
bending stress	s_{bmax}	MPa	0	0
Reference stress	s_{vmax}	MPa	140	50
$S = \sigma_{zul} / p_{max}$	S p		5,13	5,92
$S = \sigma_{g.zul} / \sigma_{g.vmax}$	S e		2,14	6,05
$S = s_{wall} / s_{min}$	S w		3,00	1,00

STRENGTH acc. to Roloff / Matak				
	fapp			
not displaceable				1,00
application factor	KA			1,00
load factor (Pulsat.load)	σ_{Fs}			1,60
load factor (Alternat.load)	σ_{Fw}			4,00
Perm. pressure (Pulsat.load)	$\sigma_{Fs adm}$	MPa		187,5
Perm. pressure (alternating)	$\sigma_{Fw adm}$	MPa		75,0
Perm. torque (pulsating)	$T_{s adm}$	Nm		370
Perm. torque (alternating)	$T_{w adm}$	Nm		148

Berechnungsbeispiel
DIN 32712-2:2012-03 Anhang A

WN7: P4C Database extended 110 .. 180 mm

New sizes 110mm until 180mm according to DIN 32712-1:2009 have been added to database p4c.dbf.

D1	D2	E1	D4PRE	R	INFO1	INFO2
110	97		8	96,7	176,5	
120	106		8	105,7	181	
130	115		8	114,7	185,5	
140	124		8	123,7	190	
150	133	8,1		132,7	194,5	
160	142		8	141,7	199	
170	151		8	150,7	203,5	
180	159		8	159,7	207,5	

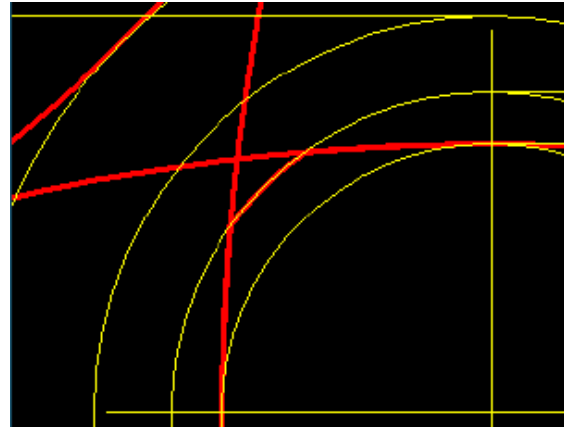
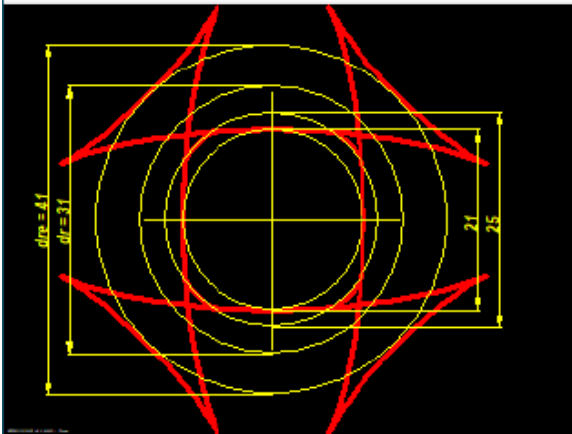
WN7: theoretical outer diameter “dre”

For the (theoretical) outer diameter of the continuous trochoid profile, the designation “dre” is introduced in WN7. In DIN 32712 there is already a similar value “dr” as the mean diameter for calculating the surface pressure:

$$dr = d2 + 2e$$

$$dre = d2 + 4e$$

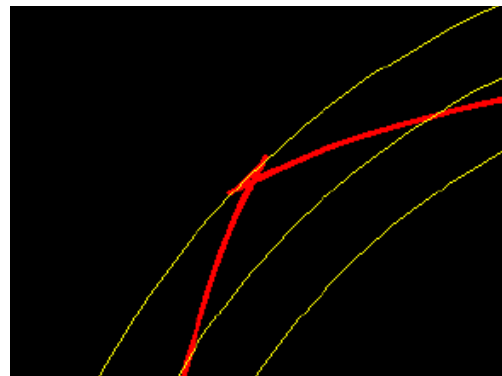
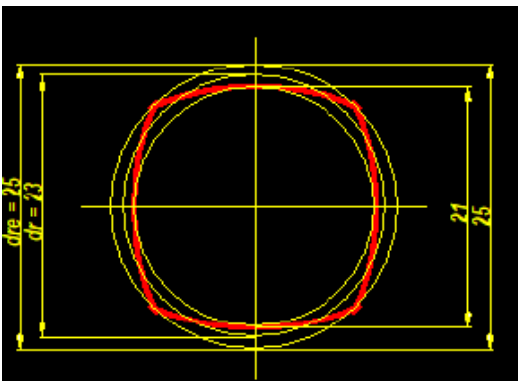
Profile DIN 32712 – P4C 25 with $d1=25\text{mm}$, $d2=21\text{mm}$, $e=5\text{mm}$ -> $dre=d2+4e=41\text{mm}$



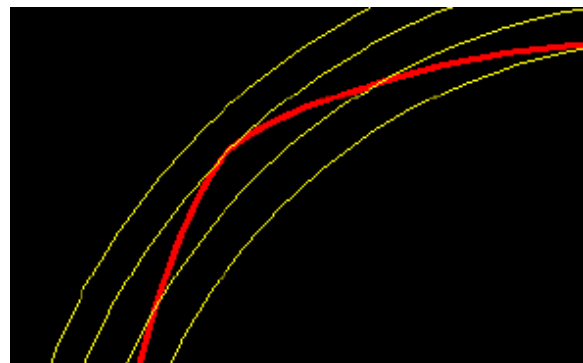
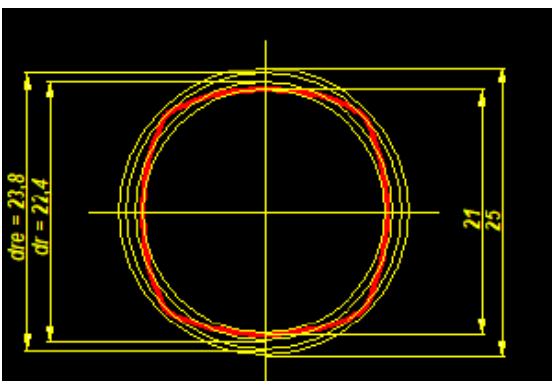
You can enter $d1$, $d2$ and eccentricity $e1$ for profiles you have defined yourself.

If you want to increase the cylindrical portion, you can decrease $d1$.

If you set “dre” = $d1$, the eccentricity becomes $e = (d1-d2) / 4 = 1\text{mm}$. But the eccentricity is still too large for a harmonious profile.



A harmonious “P4G” profile is only obtained when the eccentricity is further reduced to 0.7mm. The outside diameter “dre” is now smaller than the diameter $d1$ of the original DIN size.



For a harmonic PnG profile, the eccentricity must be smaller than $rm / (n^2-1)$. For P4G $e \leq rm / 15$, with $rm = 23/2$, $e_{lim} = 0.766\text{ mm}$.

WN7 – P4C Calculate sector angle

The P4C polygon trochoide profile is cut by an arc of a circle. The proportional angles are now displayed in the Quick3 view (in degrees and per cent): psiP4C with polygon profile and psiArc with circular arc. The two angles add up to 90 degrees.

sector angle P4C	psiP4C	°	70,5
sector angle arc	psiArc	°	19,5

P3G and P4C standard series

Because the diameter and eccentricity are rounded to whole numbers in the standard series, each profile looks different. Compare a P4C profile with nominal size 14 and nominal size 100!

There is also a publication by Prof. Masoud Ziaei, who examined P3G and P4C connections and derived optimal dimensions from them:

P3G: eccentricity $e = 0.036 * dm$

P4C: eccentricity $e = 0.125 * dm$, $d2 / d1 = 0.82$

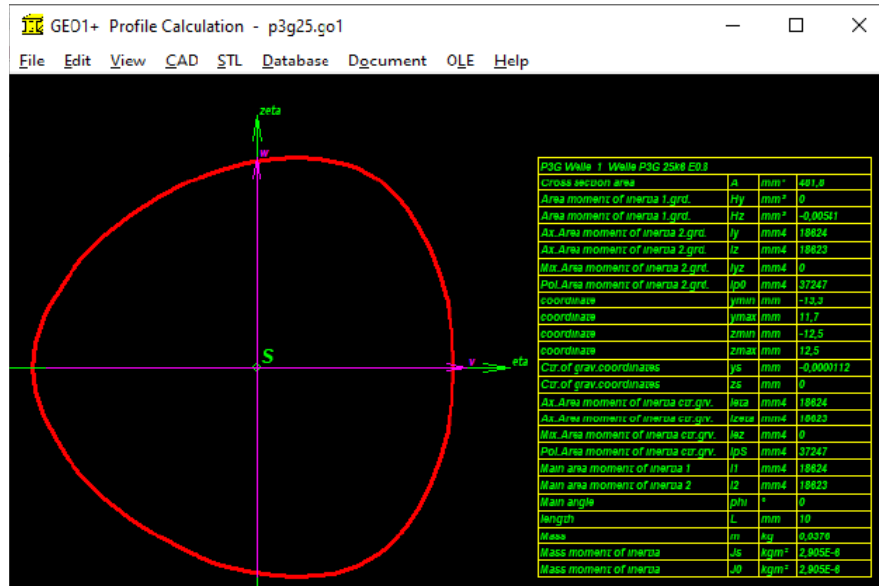
With the P4C, $dm = d2 + 2 * e$. With $dm = d2 + 2 * 0.036dm$ becomes $dm = d2 / 0.928$ and with $d2 = 0.82d1$ becomes

$dm = 0.82d1 / 0.928 = 0.8836 d1$. $e = 0.125 * dm = 0.11 * d1$. The professor claims, however, that the uniform thickness also for P4C according to DIN 32712 is $dm = d1$. It therefore remains unclear for the time being how large the optimal eccentricity for P4C according to Ziaei is.

The designations d1 to d6 in DIN 32711 and 32712 are named arbitrarily. With P3C, the nominal size d1 is the mean diameter (constant diameter), with P4C according to DIN 32712, d1 is the outer diameter (which has nothing to do with the polygon).

GEO1+: Polygon profile (P3G)

Polygon-Trochoid-Profiles (P3G) can now also be generated in GEO1+. In addition to the pitch circle diameter and eccentricity, the number of corners and the resolution can also be entered here.

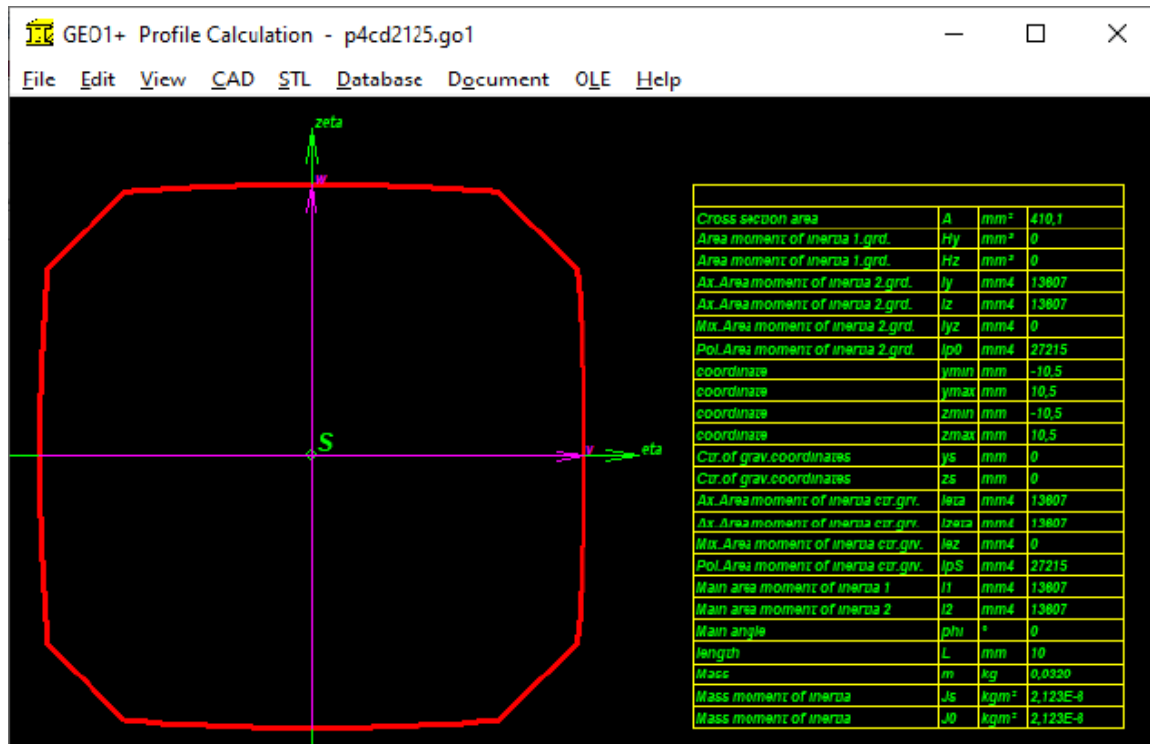


A polygon trochoid with 2 corners results in an ellipse, with 3 corners in P3G. With 4 corners there is a P4C contour, but without limitation by circular arcs. A correct P4C contour can also be loaded into GEO1+: save it in WN7 under “File \ Export DXF” or “CAD \ P4C”, then load it into GEO1+ under “File \ Import DXF”. In GEO1+ area and area moments are calculated from the sum of the coordinates. A comparison of a P3G profile generated in GEO1+ with data calculated from WN6 shows a good match for cross-sectional area A and moments of area Ip and Ix. The center of gravity is exactly in the zero point. The moment of resistance Wmin is $I / rmax$ with $rmax = d2 / 2$. With $Wx = Ix / d2 / 2$ there is good agreement, with $Wp = Ip / d2 / 2$ there is a deviation of approx. 10% with Wp from DIN 32711.

GEO1+ can also be used to determine the mass moment of inertia of a shaft with a P3G profile.

WN7: Two errors in DIN 32712

A DXF-imported P4C profile from WN7 results in GEO1+ for W_p a higher and for W_x a lower value than according to DIN 32712.



This can be explained by how the section modulus according to DIN 32712 is calculated or, better said, estimated:

$$W_p = 0.2 * d_2^3$$

$$W_x = 0.15 * d_2^3$$

d_2 is the smallest diameter on the P4C profile. The section modulus of a P4C profile is definitely greater than that of a shaft with diameter d_2 :

$$W_p = \pi / 16 (0.196) * d_2^3$$

$$W_x = \pi / 32 (0.098) * d_2^3$$

The polar section modulus of a P4C profile is calculated conservatively according to DIN 32712, but the axial section modulus W_x is calculated too large. So be careful if a P4C shaft is subjected to bending stress! Save the P4C contour in WN7 as a DXF file and load it with GEO1+. GEO1+ then calculates the axial moment of area 2nd order I_z . If the P4C shaft rests on the polygon trochoide contour, $W_x = I_x / (d_2/2)$. If the P4C shaft rests on the circular contour, $W_x = I_x / (d_1/2)$.

In WN7, the approximate calculation of W_x has been changed to $W_x = 0.1 * d_2^3$, which deviates from DIN 32712.

There is an even more serious mistake when calculating the surface pressure according to DIN 32712. Proof: Make the eccentricity very large (for a flat curve), then the surface pressure p approaches 0. Because $dr = d_2 + 2e$ is specified. In contrast to P3G, you can make the eccentricity as large as you want in P4C (eccentricity infinite results in a polygon cut with a circle). Presumably $dr = d_2 + 2e$. Because dr should be the mean diameter $dm = R_m / 2$ (equivalent to d_1 for P3G) $dr = (d_1 + d_2) / 2 = d_2 + 2 * e_r = d_1 - 2 * e_r$. In WN7, contrary to DIN 32712, “ $dr = d_2 + 2 * e_r$ ” will be used instead of “ $dr = d_2 + 2 * e$ ”.

Applied to the calculation example in DIN 32712-2: 2012 Appendix A, “ dr ” is then 23mm instead of 31mm, which means that the surface pressure is $p = 80$ MPa instead of 51.57 MPa.

An alternative calculation $p = F / A$ with $F = Mt / (dm/2)$ and area $A = \text{tooth height} * \text{width} * \text{number of teeth}$ gives an even higher value of 94 N/mm². Almost twice as big as according to DIN!

WN6: Error in DIN 32711

There is also a small error in DIN 32711: the rather complicated formula for calculating the polar moment of resistance W_p is incorrect. Proof: Set eccentricity $e = 0$, then the values of I_p , W_p , W_x , and A must agree with the values of a circular cross-section.

The simple formula $W_p = 2 * I_p / d_1$ would be more correct

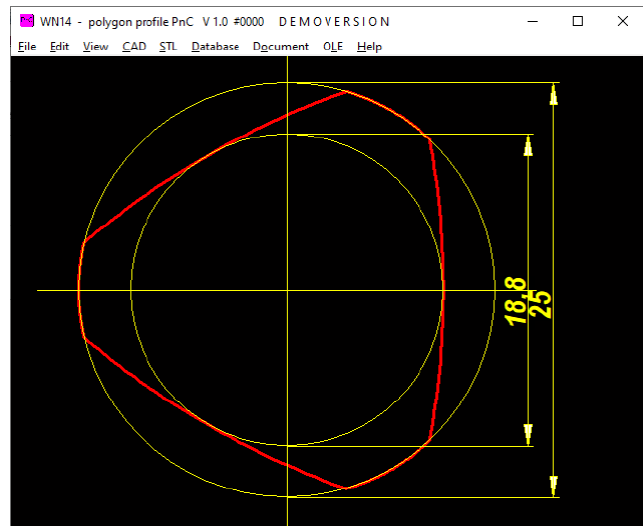
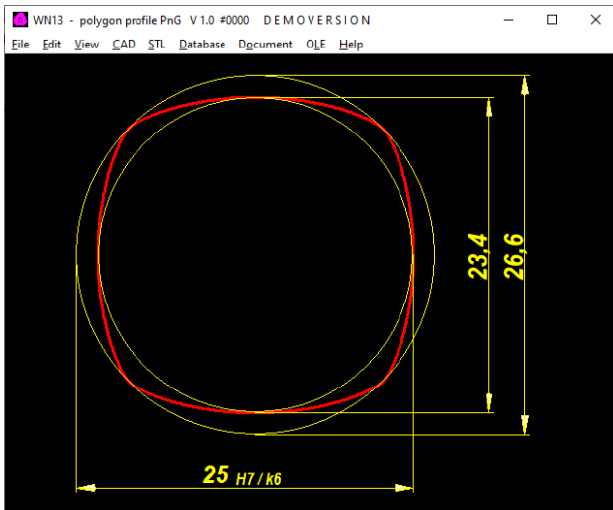
The deviation is not serious, so the DIN calculation in WN6 is retained for the time being. In addition, the section modulus " $W_{pd1} = 2 * I_p / d_1$ " is calculated and printed out.

In any case, the section modulus of the P3G profile is only used to calculate the shear and bending stress of solid shafts. The section modulus of a circular ring is used for the hub or hollow shaft.

The calculation of the minimum wall thickness according to DIN 32711 and 32712 is at least questionable. For P3G connections the minimum wall thickness is twice as large as for P4C joints. Perhaps it is believed that P3G is used for interference fits and P4C is used for sliding joints.

WN13: New software for PnG joints

Soon there will be a new calculation program WN13 for PnG joints with 2, 3, 4, 5, 6, n edges (P2G, P3G, P4G, P5G, PnG) where you can freely enter the constant diameter and eccentricity. The maximum eccentricity is $e_{lim} = d / (2 * (n^2 - 1))$. Polygonal shaft connections could become the preferred shaft-hub connection for non-cutting machine elements.



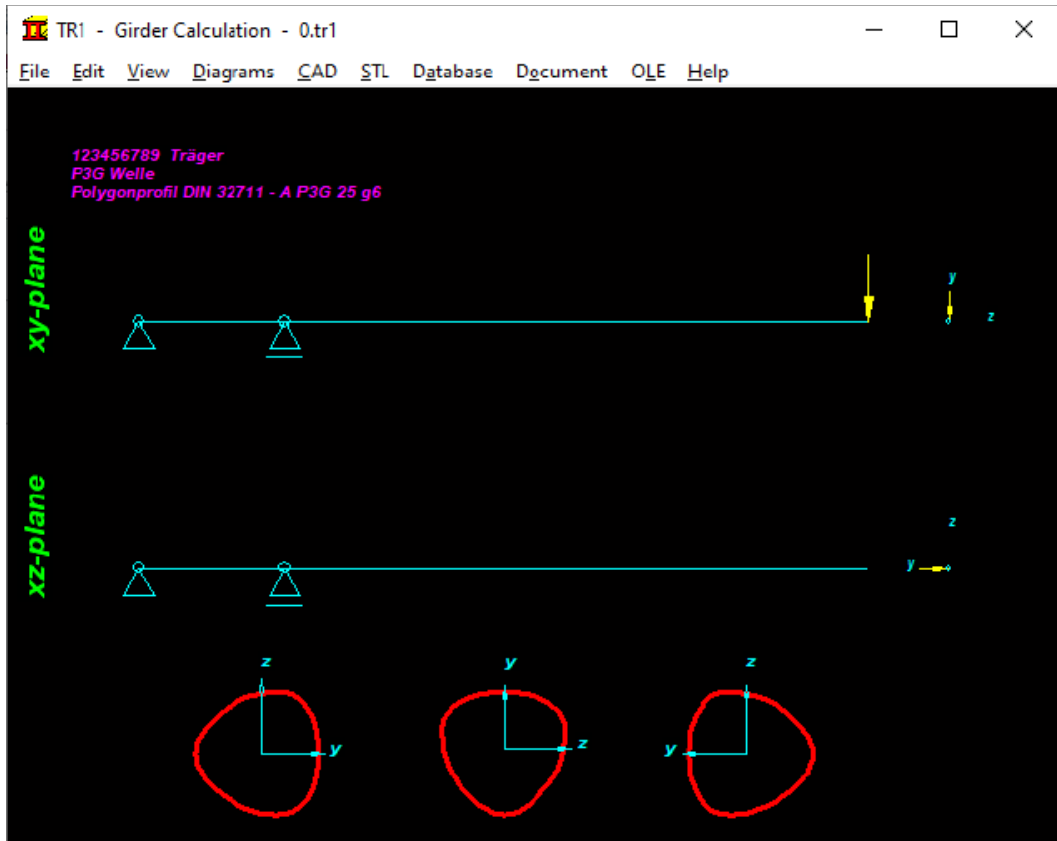
WN14: New Software for PnC Joints

Soon there will also be a new calculation program WN14 for PnC joints with truncated polygon-trochoid profiles such as P4C, but also with 2,3,5,6 edges.

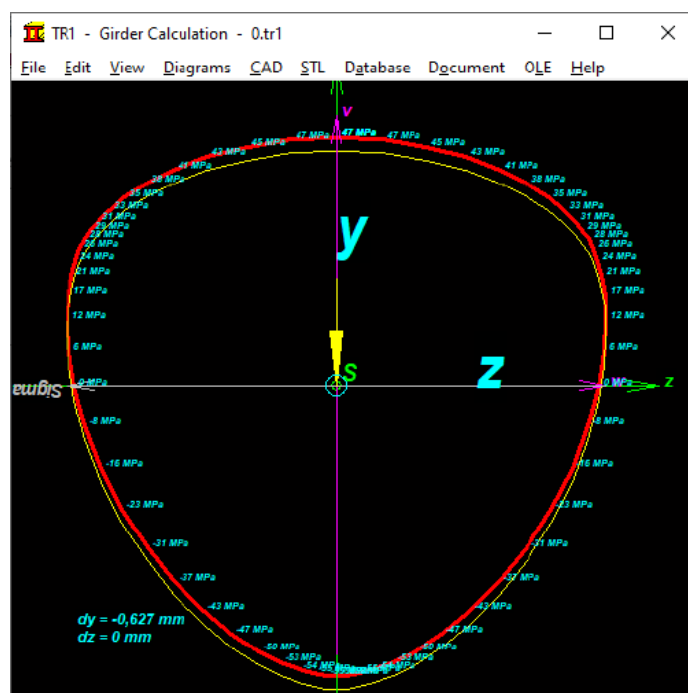
The PnC profile is also interesting for shafts that can accommodate both cylindrical and PnC machine elements, e.g. rolling bearings, gears and pulleys on a continuous shaft.

TR1: Polygon Trochoid Profile (P3G)

The polygon trochoidal shaft was added to the profile database for girder calculation. This allows shafts with a P3G profile to be calculated as a girder. However, only on tension / compression and bending, not on torsion. The number of edges (P2G, P3G, P4G, PnG) can be entered. With 2 edges there is an ellipse. The more edges, the smaller the eccentricity must be. Otherwise there is the known effect of P4C profiles of limiting the usable profile by means of a circular arc. In TR1, there is also the option of importing any cross-section consisting of one polyline as a DXF file.

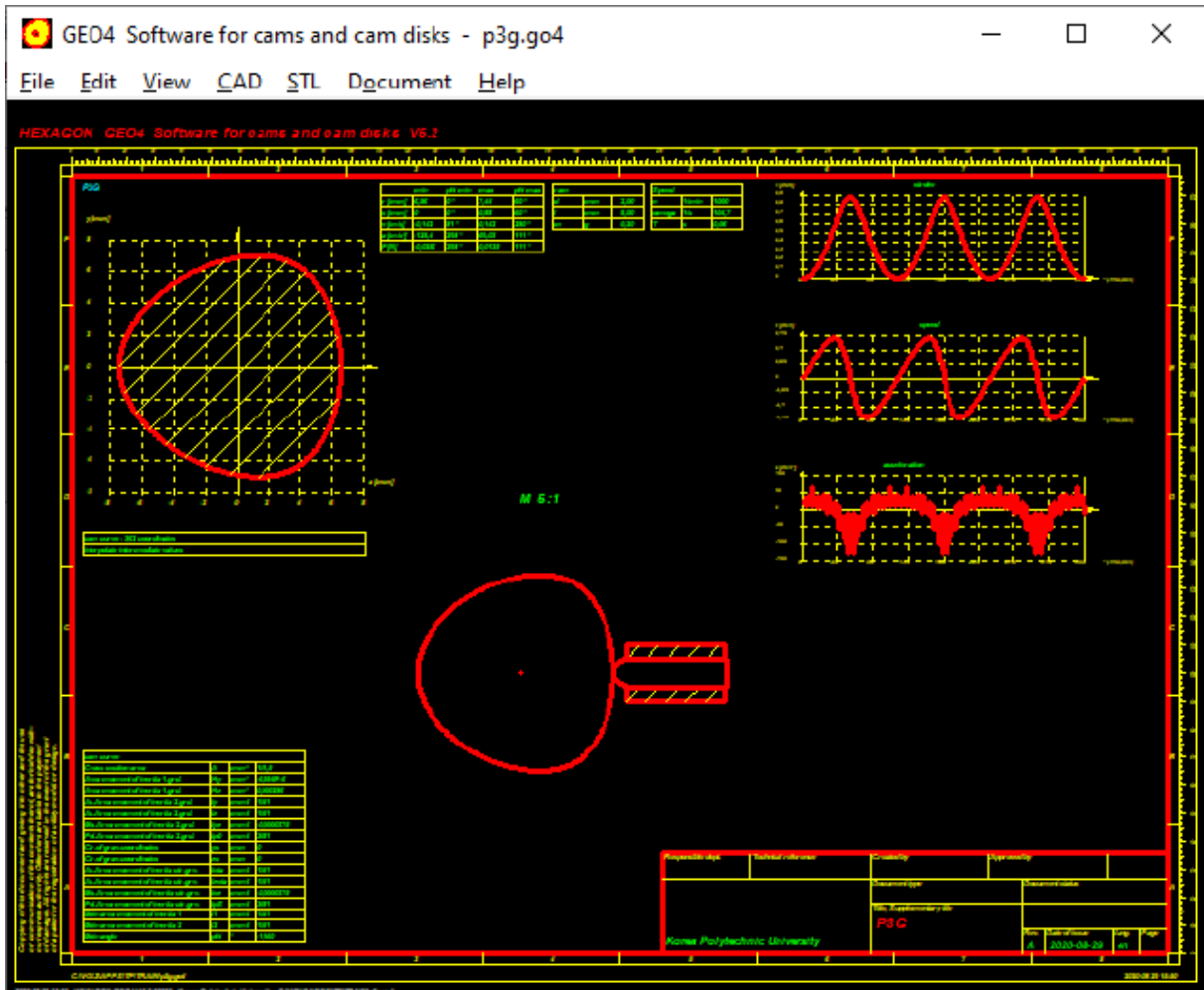


Under "View \ Profile with stress and bending", the bending stress at each point of the profile is displayed, as well as the deflection at the specified x-coordinate (yellow contour).



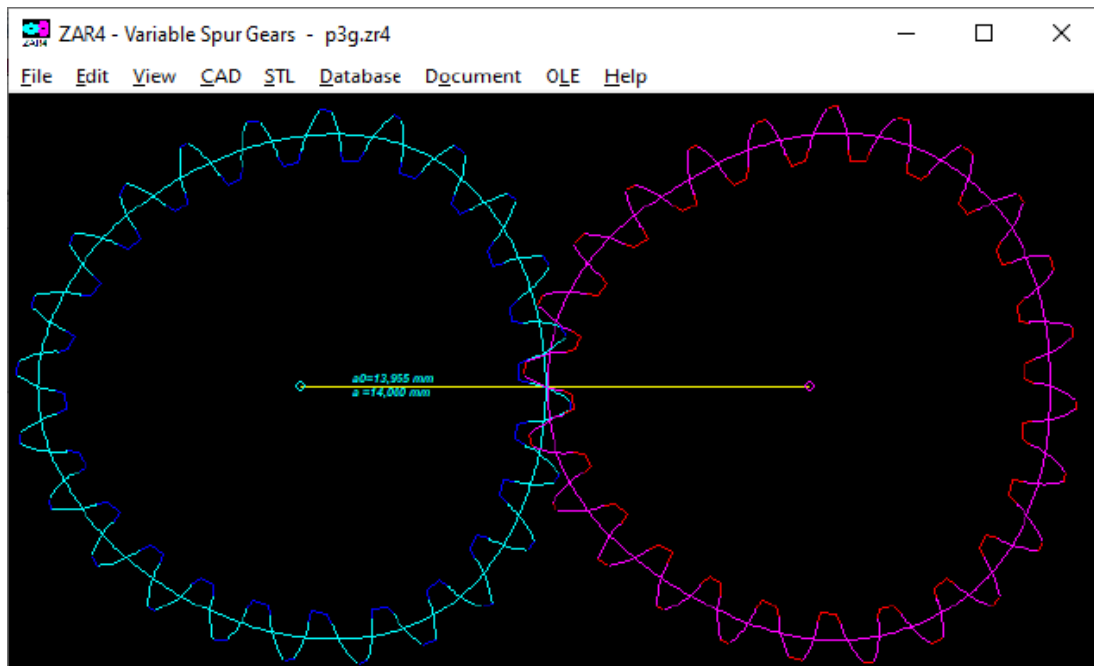
GEO4: Import DXF

Using Import DXF option, you can load polygon profiles from WN6 or GEO1+ into GEO4 as P3G cam or cam shaft.

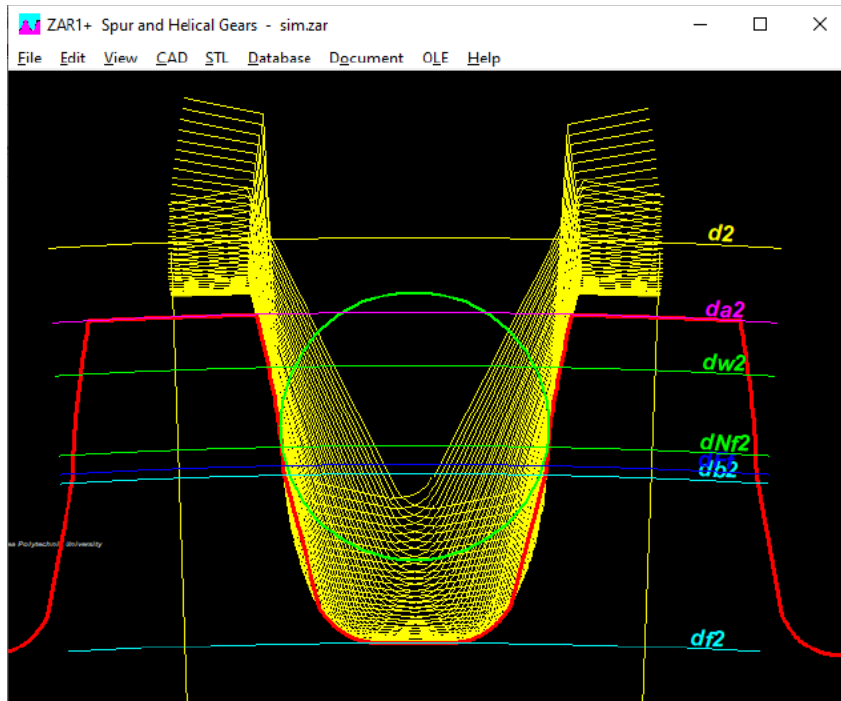


ZAR4: Import DXF

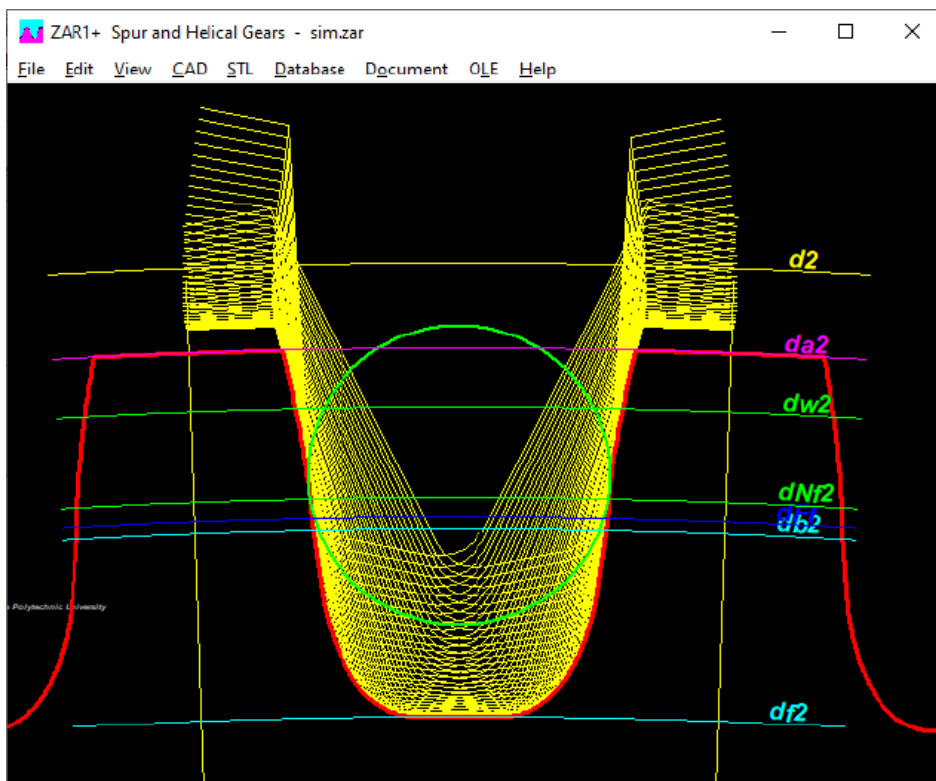
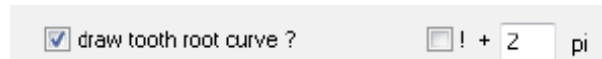
Using "Import DXF" option, you can load polygon profile of WN6 or GEO1+ into ZAR4 as P3G gear.



ZAR1+, ZARXP, ZAR1W, ZAR5, ZAR7, ZAR8: Tooth root trochoid and undercut

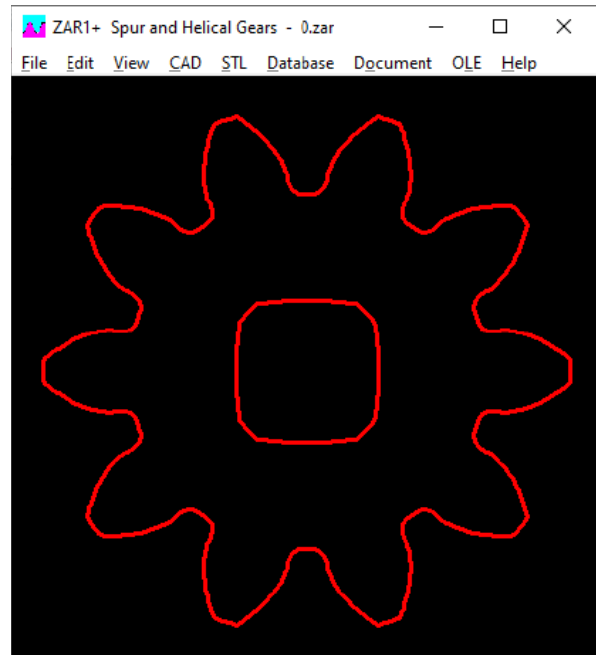
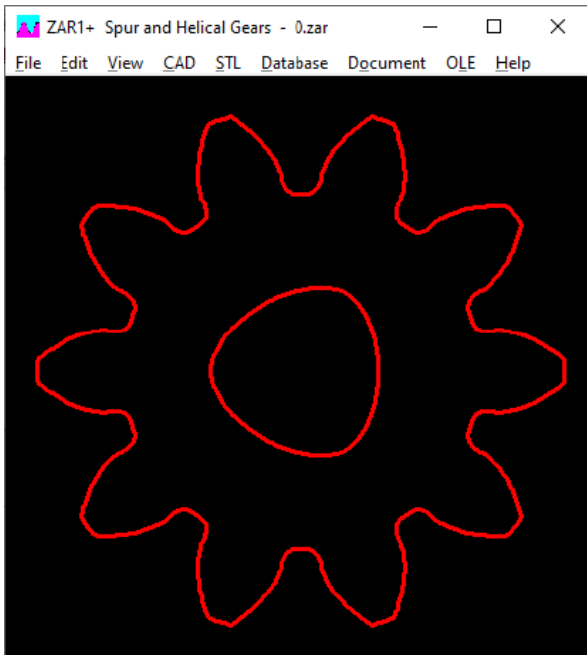


For very strongly undercut gears (e.g. $\alpha = 15^\circ$ and $x = -1.3$), the root rounding trochoid at the transition to the involute was not drawn cleanly. In this unusual gear, the pitch circle diameter is outside the tothing, and the undercut area with the fillet is larger than the involute. Such gears are now also drawn continuously if the starting angle of the root fillet is enlarged ($+2\pi$ instead of $+0\pi$) under "CAD \ Settings \ Draw tooth root curve ?".

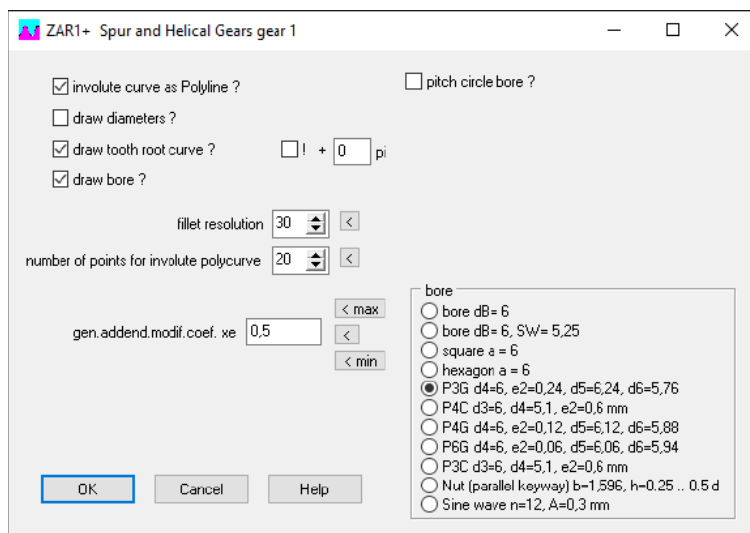


ZAR1 +, ZAR5, ZAR7, ZAR8: Bore P3G, P4C, P4C, P3C, P6G, square, hexagon

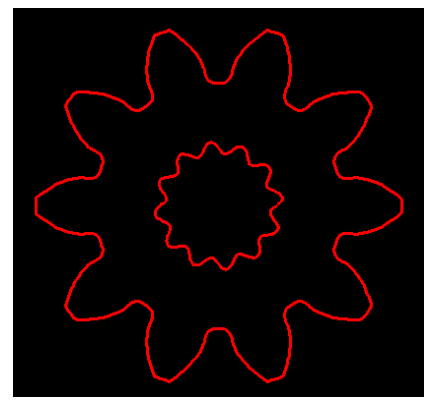
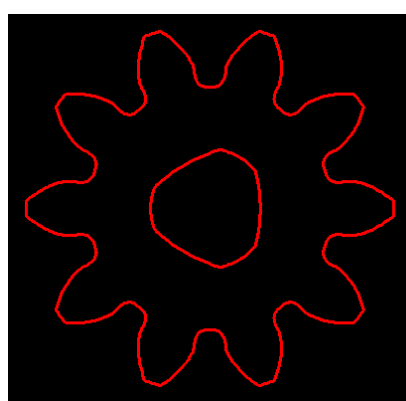
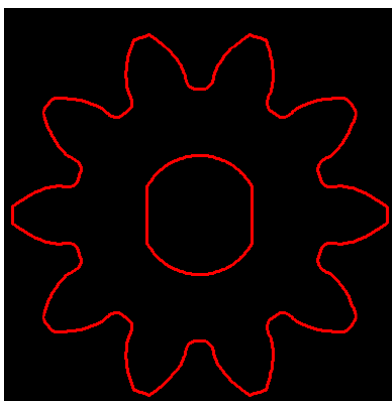
There are now various alternatives to a round hole for the production of gears with a 3D printer: flattened, square, hexagonal, P3G, P4C, P4G, P6G, P3C. In addition, a keyway and a sine wave. You do not have to enter any further dimensions, standard values are used. P3G data, for example, are $d1 = dB$, $e2 = 0.04 dB$ ($d5 = dB + e2$, $d6 = dB - e2$)



You can select and enter the options under "CAD \ Gear Wheels":

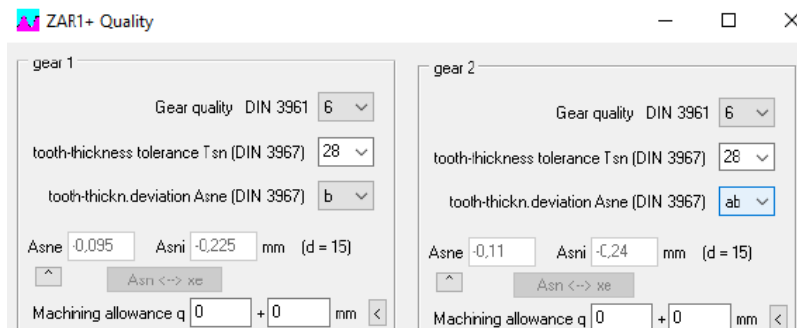


Besides P3G and P4C, there are also P3C, P4G, P6G, and round sine wave.

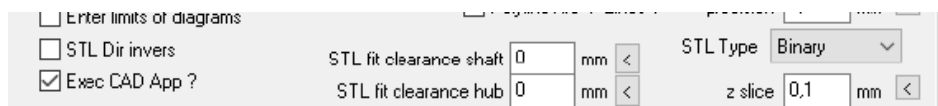


ZAR1 + 3+ 4 5 7 8: Manufacture gears with a 3D printer

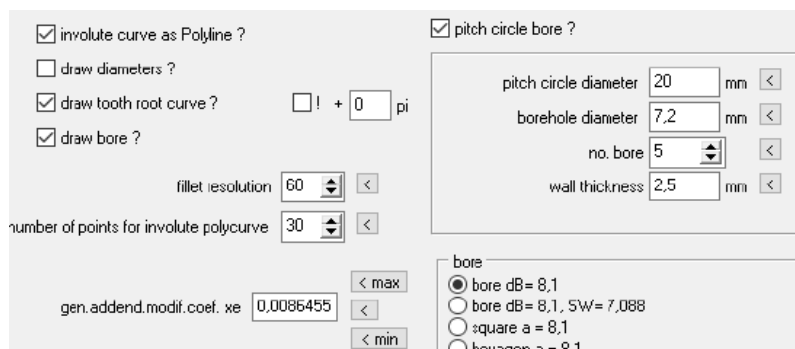
Straight-toothed gears can easily be produced using 3D printing. In the case of helical gears, the tooth flanks should then be smoothed, because in 3D printing the tooth incline results in a step function (step height = layer thickness). Because of the larger tolerances in 3D printing of gears made of PLA or ABS, the backlash must be increased so that the model gears also run. Under “Edit \ Quality” select a tolerance field for large backlash, e.g. b 28 for gears made of PLA or ABS. No machining allowance (0).



To shorten the printing time, you can enlarge the bore diameter. With helical gears you should configure the layer thickness “zslice” under “File \ Settings \ CAD”. This should be the same as the layer thickness set on the 3D printer. Caution: do not set it unnecessarily small, halving zslice doubles the STL file size.



Menu „STL Gear wheel“:



Involute as a polyline: regardless of whether it is a polyline or a line.

Draw in diameter: no, only the gear contour belongs in the STL file

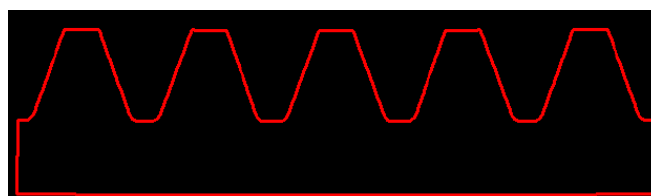
Draw foot fillets: yes, as in the drawing

Draw in the hole: yes, otherwise the gear will come on a solid shaft

Resolution of fillet and involute: as in the drawing

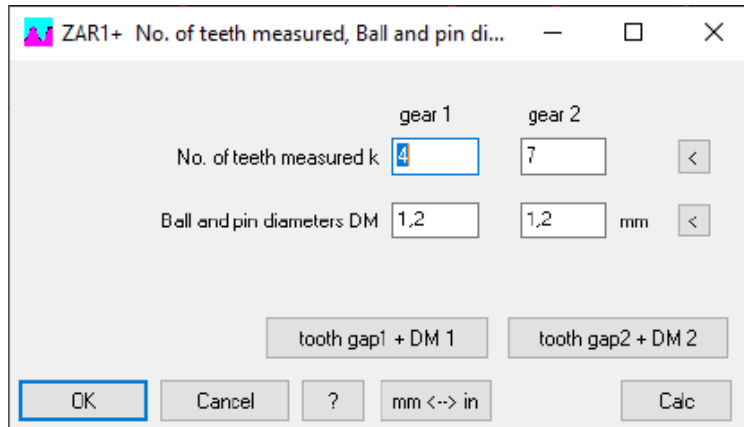
Generated profile shift factor: "<" button for tolerance center or "min" "max" with direct effect on the backlash.

Pitch circle: a pitch circle with holes can be used to attach a gear or ring gear, or simply to save material.



Rack: For a rack, enter a large number of teeth (-2000) and a small backlash (independent of the pitch circle), then enter the number of teeth under “STL \ Sector \ Rad2”.

ZAR1 + 5 7 8: Recommended values for number of teeth measured and ball diameter



The screenshot shows a dialog box titled "ZAR1+ No. of teeth measured, Ball and pin di...". It contains two columns for "gear 1" and "gear 2". The "No. of teeth measured k" row has input boxes with values 4 and 7, and a "<" button to the right of the gear 2 box. The "Ball and pin diameters DM" row has input boxes with values 1,2 and 1,2, followed by "mm" and a "<" button. Below these are two buttons: "tooth gap1 + DM 1" and "tooth gap2 + DM 2". At the bottom are buttons for "OK", "Cancel", "?", "mm <-> in", and "Calc".

The suggested values with the “<” button were calculated from the profile shift factor x_{emin} , whereas the input values were checked with tolerance center $(x_{emin} + x_{emax}) / 2$. In the case of large tooth flank tolerances, the suggested values for the maximum value of x_e result in different numbers of measuring teeth and ball diameters than for the minimum value with a difference of more than 30%. For some borderline cases there was therefore the curious case that a warning “k measure!” was displayed even though the default value was used. The mean profile shift factor calculated from the tooth thickness dimensions is now used for all suggested values. I would like to thank Jong-Gak Kim from Pion for pointing this out.

Virus scanner false positive

Some virus scanners (for computer viruses) report warnings for executable files that they are not yet aware of. Or which you already know, but which differ slightly. This applies to every HEXAGON executable file: Every exe file is different and individual because it contains the name of the licensee. It is different with most software providers; every customer works with the same exe file. This makes it easy for virus companies like Symantec to catalog the files and then simply compare the exe file with the stored characteristics: If there are discrepancies, it could be a file that has been mutated by computer viruses. There are always differences with HEXAGON software: every wfed1.exe is different. This is suspicious for virus scanners: they may not find a virus, but they detect an allegedly mutated file and issue a warning. At Symantec, the warning is called “WS.Reputation.1”. You can ignore this warning.

Corona viruses on a world tour

A virus does not travel two meters without outside help. Viruses are transmitted through travelers. Corona viruses travel around the world. In spring they said goodbye from Europe to South America, where summer is winter. Continuing via North America and Russia, they return to Europe for the flu season. Only in China are the viruses not returning: China has canceled all international flights except for cargo flights and a few return flights for Chinese overseas students and closed all borders so that travelers do not bring the corona pandemic back. Free travel for goods, but entry stop for people and animals. With success: in the huge empire of China there are fewer new corona virus infections in August 2020 than in the small Free State of Bavaria. If corona sufferers were successfully isolated 6 months ago, the healthy are now isolated. While other countries are spending billions on corona consequences, economic growth is also expected for China in 2020.

In China you don't need a mask anymore. They can all be exported. To Europe, that is where the new mask fanatics sit. There even an EU commissioner has to resign because he once forgot his mask.

HEXAGON PRICE LIST 2020-09-01

Base price for single licences (perpetual)	EUR
DI1 Version 1.2 O-Ring Seal Software	190.-
DXF-Manager Version 9.1	383.-
DXFPLOT V 3.2	123.-
FED1+ V31.0 Helical Compression Springs incl. spring database, animation, relax., 3D,..	695.-
FED2+ V21.7 Helical Extension Springs incl. Spring database, animation, relaxation, ...	675.-
FED3+ V21.2 Helical Torsion Springs incl. prod.drawing, animation, 3D, rectang.wire, ...	600.-
FED4 Version 7.8 Disk Springs	430.-
FED5 Version 16.5 Conical Compression Springs	741.-
FED6 Version 17.0 Nonlinear Cylindrical Compression Springs	634.-
FED7 Version 14.1 Nonlinear Compression Springs	660.-
FED8 Version 7.2 Torsion Bar	317.-
FED9 Version 6.3 Spiral Spring	394.-
FED10 Version 4.3 Leaf Spring	500.-
FED11 Version 3.5 Spring Lock and Bushing	210.-
FED12 Version 2.7 Elastomer Compression Spring	220.-
FED13 Version 4.2 Wave Spring Washers	228.-
FED14 Version 2.5 Helical Wave Spring	395.-
FED15 Version 1.6 Leaf Spring (simple)	180.-
FED16 Version 1.3 Constant Force Spring	225.-
FED17 Version 1.9 Magazine Spring	725.-
GEO1+ V7.3 Cross Section Calculation incl. profile database	294.-
GEO2 V3.2 Rotation Bodies	194.-
GEO3 V3.3 Hertzian Pressure	205.-
GEO4 V5.2 Cam Software	265.-
GEO5 V1.0 Geneva Drive Mechanism Software	218.-
GEO6 V1.0 Pinch Roll Overrunning Clutch Software	232.-
GEO7 V1.0 Internal Geneva Drive Mechanism Software	219.-
GR1 V2.2 Gear construction kit software	185.-
GR2 V1.0 Eccentric Gear software	550.-
HPGL-Manager Version 9.1	383.-
LG1 V6.6 Roll-Contact Bearings	296.-
LG2 V3.1 Hydrodynamic Plain Journal Bearings	460.-
SR1 V23.6 Bolted Joint Design	640.-
SR1+ V23.6 Bolted Joint Design incl. Flange calculation	750.-
TOL1 V12.0 Tolerance Analysis	506.-
TOL2 Version 4.1 Tolerance Analysis	495.-
TOLPASS V4.1 Library for ISO tolerances	107.-
TR1 V6.1 Girder Calculation	757.-
WL1+ V21.5 Shaft Calculation incl. Roll-contact Bearings	945.-
WN1 V12.3 Cylindrical and Conical Press Fits	485.-
WN2 V10.3 Involute Splines to DIN 5480	250.-
WN2+ V10.3 Involute Splines to DIN 5480 and non-standard involute splines	380.-
WN3 V 6.0 Parallel Key Joints to DIN 6885, ANSI B17.1, DIN 6892	245.-
WN4 V 5.1 Involute Splines to ANSI B 92.1	276.-
WN5 V 5.1 Involute Splines to ISO 4156 and ANSI B 92.2 M	255.-
WN6 V 3.2 Polygon Profiles P3G to DIN 32711	180.-
WN7 V 3.2 Polygon Profiles P4C to DIN 32712	175.-
WN8 V 2.5 Serration to DIN 5481	195.-
WN9 V 2.4 Spline Shafts to DIN ISO 14	170.-
WN10 V 4.3 Involute Splines to DIN 5482	260.-
WN11 V 2.0 Woodruff Key Joints	240.-
WN12 V 1.2 Face Splines	256.-
WNXE V 2.2 Involute Splines – dimensions, graphic, measure	375.-
WNXK V 2.1 Serration Splines – dimensions, graphic, measure	230.-
WST1 V 10.2 Material Database	235.-
ZAR1+ V 26.5 Spur and Helical Gears	1115.-
ZAR2 V8.1 Spiral Bevel Gears to Klingelnberg	792.-
ZAR3+ V10.4 Cylindrical Worm Gears	620.-
ZAR4 V6.0 Non-circular Spur Gears	1610.-

ZAR5 V12.1 Planetary Gears	1355.-
ZAR6 V4.2 Straight/Helical/Spiral Bevel Gears	585.-
ZAR7 V2.0 Plus Planetary Gears	1380.-
ZAR8 V1.6 Ravigneaux Planetary Gears	1950.-
ZAR9 V1.0 Cross-Helical Screw Gears	650.-
ZARXP V2.5 Involute Profiles - dimensions, graphic, measure	275.-
ZAR1W V2.3 Gear Wheel Dimensions, tolerances, measure	450.-
ZM1.V2.5 Chain Gear Design	326.-

PACKAGES	EUR
HEXAGON Mechanical Engineering Package (TOL1, ZAR1+, ZAR2, ZAR3+, ZAR5, ZAR6, WL1+, WN1, WN2+, WN3, WST1, SR1+, FED1+, FED2+, FED3+, FED4, ZARXP, TOLPASS, LG1, DXFPLOT, GEO1+, TOL2, GEO2, GEO3, ZM1, WN6, WN7, LG2, FED12, FED13, WN8, WN9, WN11, DI1, FED15,WNXE,GR1)	8,500.-
HEXAGON Mechanical Engineering Base Package (ZAR1+, ZAR3+, ZAR5, ZAR6, WL1+, WN1, WST1, SR1+, FED1+, FED2+, FED3+)	4,900.-
HEXAGON Spur Gear Package (ZAR1+ and ZAR5)	1,585.-
HEXAGON Planetary Gear Package (ZAR1+, ZAR5, ZAR7, ZAR8, GR1)	3,600.-
HEXAGON Involute Spline Package (WN2+, WN4, WN5, WN10, WNXE)	1,200.-
HEXAGON Graphic Package (DXF-Manager, HPGL-Manager, DXFPLOT)	741.-
HEXAGON Helical Spring Package (FED1+, FED2+, FED3+, FED5, FED6, FED7)	2,550.-
HEXAGON Complete Spring Package (FED1+, FED2+, FED3+, FED4, FED5, FED6, FED7, FED8, FED9, FED10, FED11, FED12, FED13, FED14, FED15, FED16, FED17)	4,985.-
HEXAGON Tolerance Package (TOL1, TOL1CON, TOL2, TOLPASS)	945.-
HEXAGON Complete Package (All Programs)	14,950.-

Quantity Discount for Individual Licenses

Licenses	2	3	4	5	6	7	8	9	>9
Discount %	25%	27.5%	30%	32.5%	35%	37.5%	40%	42.5%	45%

Network Floating License

Licenses	1	2	3	4	5	6	7..8	9..11	>11
Discount/Add.cost	-50%	-20%	0%	10%	15%	20%	25%	30%	35%

(Negative Discount means additional cost)

Language Version:

- **German and English** : all Programs
- **French**: FED1+, FED2+, FED3+, FED4, FED5, FED6, FED7, FED9, FED10, FED13, FED14, FED15, TOL1, TOL2.
- **Italiano**: FED1+, FED2+, FED3+, FED4, FED5, FED6, FED7, FED9, FED13, FED14, FED17.
- **Swedish**: FED1+, FED2+, FED3+, FED5, FED6, FED7.
- **Portugues**: FED1+, FED17
- **Spanish**: FED1+, FED2+, FED3+, FED17

Updates:

Update prices	EUR
Software Update (software Win32/64 + pdf manual)	40.-
Software Update (software 64-bit Win + pdf manual)	50.-

Update Mechanical Engineering Package: 800 EUR, Update Complete Package: 1200 EUR

Maintenance contract for free updates: annual fee: 150 EUR + 40 EUR per program

Hexagon Software Network Licenses

Floating License in the time-sharing manner by integrated license manager.

Conditions for delivery and payment

Delivery by Email or download (zip file, manual as pdf files): EUR 0.

General packaging and postage costs for delivery on CD-ROM: EUR 60, (EUR 25 inside Europe)

Conditions of payment: bank transfer in advance with 2% discount, or PayPal (paypal.me/hexagoninfo) net.

Key Code

After installation, software has to be released by key code. Key codes will be sent after receipt of payment.

HEXAGON Industriesoftware GmbH

Stiegelstrasse 8 D-73230 Kirchheim Tel. +49 7021 59578, Fax +49 7021 59986
 Kieler Strasse 1A D-10115 Berlin Mühlstr. 13 D-73272 Neidlingen
 Mobile: +49 163 7342509 E-Mail: info@hexagon.de Web: www.hexagon.de